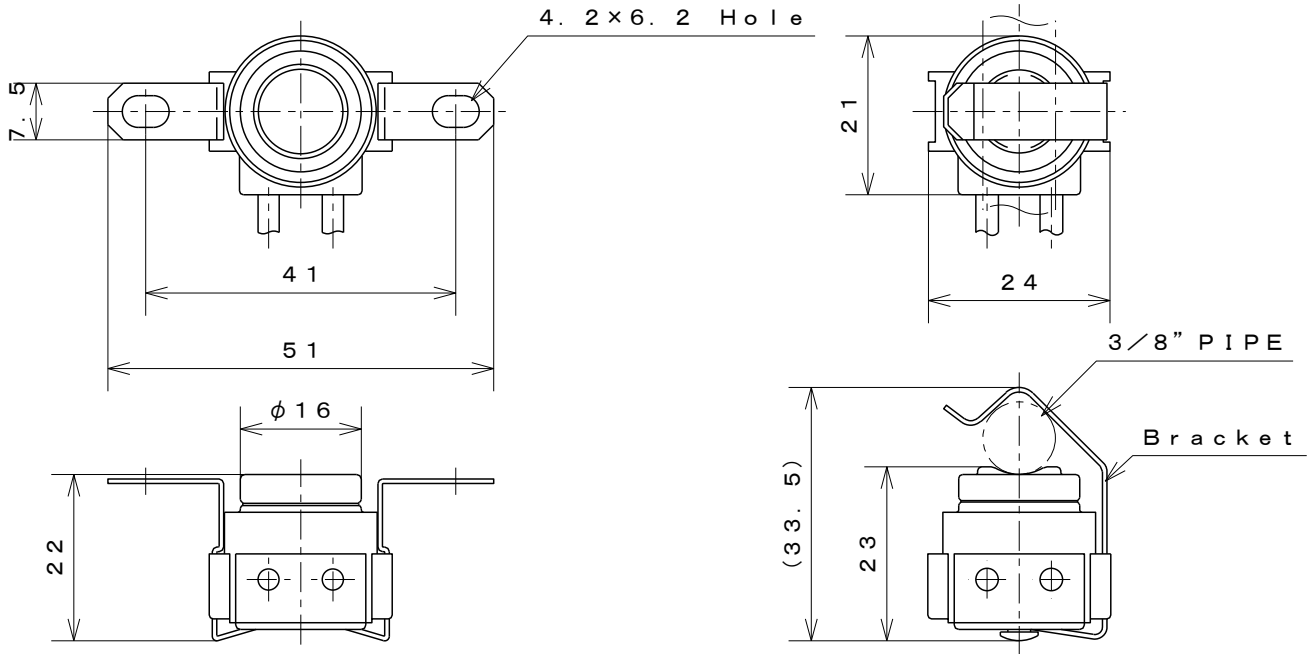




1/2" Disc Type Thermostat
Water Proof Type

Type **12E□** for Europe

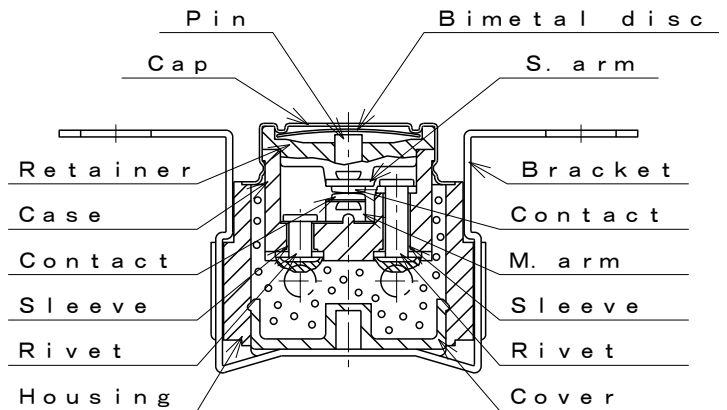
Dimensions



Materials of parts

Part	Material
Cap	Copper Stainless steel
Case	Phenolic resin
Husing	Polycarbonate
Bracket	Stainless steel
Fulling	Polyurethane
Leads	PVC 1.25mm ²
Contacts	Silver-Nickel alloy (N) Silver (C) PGS-Crossbar (X, P)

Structure



Specification

★Compliance with RoHS Directives

Item	Specification
1. Basic features	SPST Automatic reset
2. Operation	L : Contacts open on temp. rise F : Contacts close on temp. rise
3. Electrical rating by variation of contacts	N : AC125V/15A AC250V/ 8A C : AC125V/ 6A AC250V/ 3A X : AC125V/ 1A DC30V/ 1A P : AC250V/0.2A DC42V/0.2A
4. Calibration method	Hot & cold air or liquid circulation system
5. Insulation resistance	Not less than 1,000MΩ/DC500V
6. Dielectric strength	Not less than AC1,500V/1min. or AC1,800V/1sec.
7. Resistance between Lead (at Lead is 1 meter)	N,C : Not more than 100mΩ X,P : Not more than 50mΩ

Relation of current & Max. operating temp.

